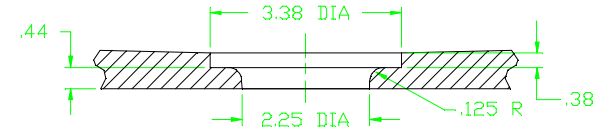
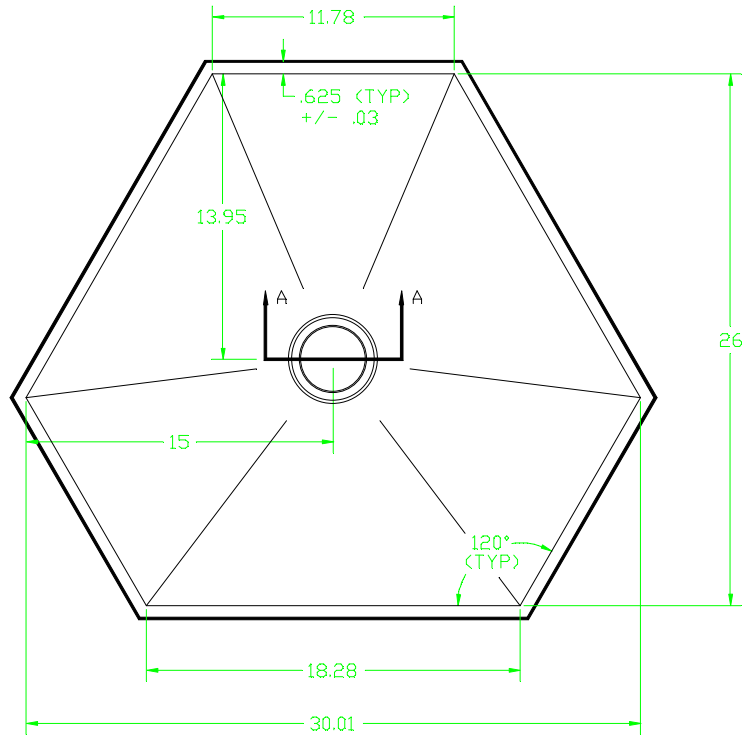


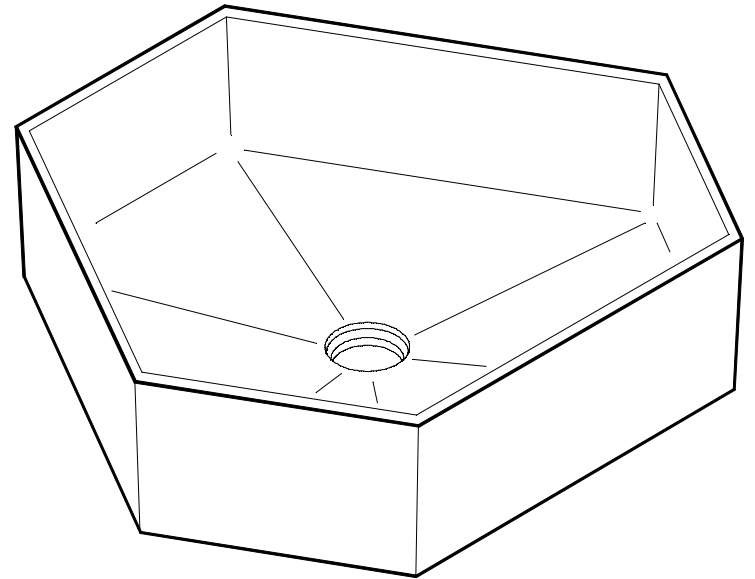
FRONT VIEW



DRAIN OPENING DETAIL
SECTION A-A



TOP VIEW



ISOMETRIC VIEW

UNDER MOUNT SINK

NOTE: ALL DIMENSIONS REFLECT ACTUAL SINK SIZES +/- .0625

REV. # _____
DATE: _____

SINK	WEIGHT	OUTLET LOCAL.	CODE
H20	82 LBS.	CENTER	SNK-H20



Laboratory Tops, Inc.

DATE: 10/22/97
SCALE: N.T.S.
DRAWN: LDC/KJR
FILE: H20.DWG