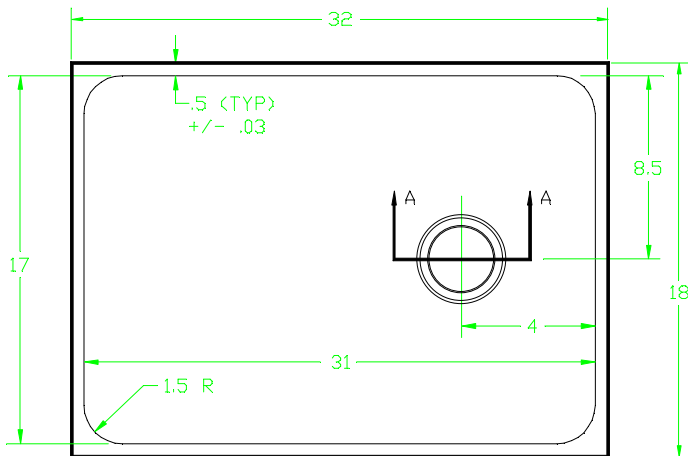
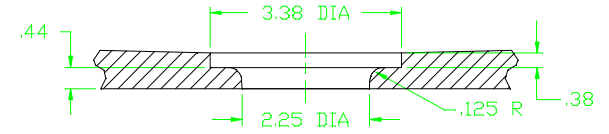


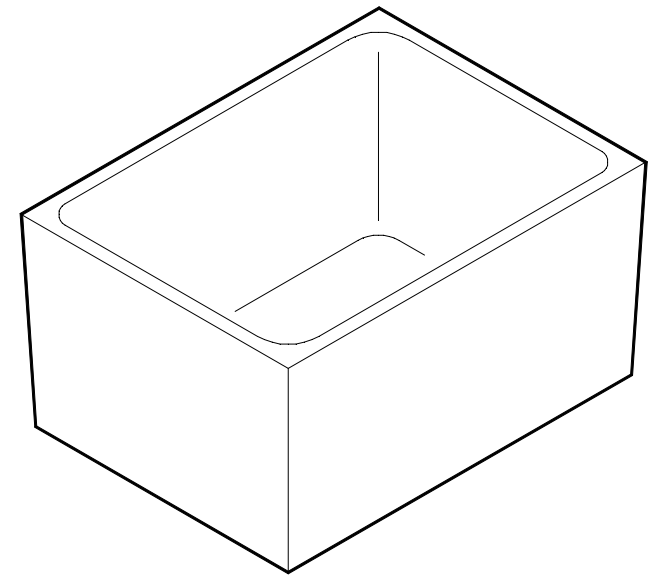
FRONT VIEW



TOP VIEW



DRAIN OPENING DETAIL
SECTION A-A



ISOMETRIC VIEW

UNDER MOUNT SINK

NOTE: ALL DIMENSIONS REFLECT ACTUAL SINK SIZES +/- .0625

REV. # _____
DATE: _____

SINK

WEIGHT

OUTLET LOCAL.

CODE



Laboratory Tops, Inc.

U63

75 LBS.

END

SNK-U63

DATE: 10/10/97
SCALE: N.T.S.
DRAWN: LDC/KJR
FILE: U63.DWG