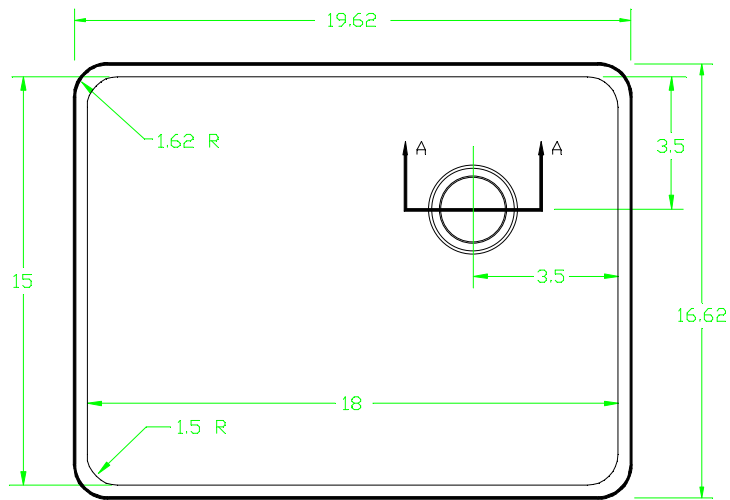
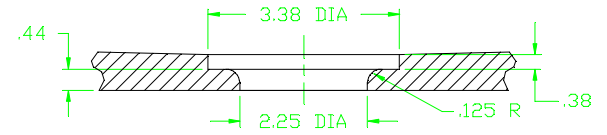


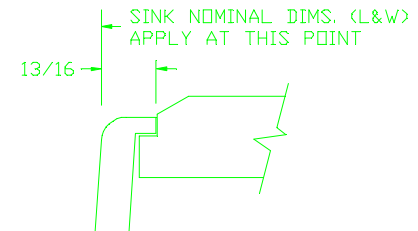
FRONT VIEW



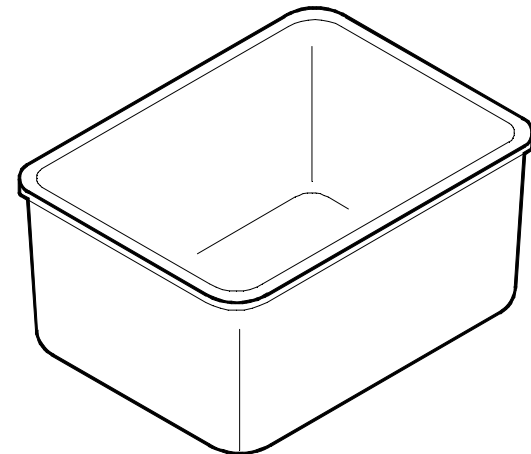
TOP VIEW



DRAIN OPENING DETAIL
SECTION A-A



WALL DETAIL AT LIP



ISOMETRIC VIEW

DROP-IN SINK

NOTE: ALL DIMENSIONS REFLECT ACTUAL SINK SIZES +/- .0625

REV. # _____
DATE: _____

SINK	WEIGHT	OUTLET LOCAL.	CODE
ADA25	35 LBS	CORNER	SNKA-25-*

DURCONTM
INCORPORATED

DATE: 10/08/97
SCALE: N.T.S.
DRAWN: LDC/KJR
FILE: ADA25.DWG