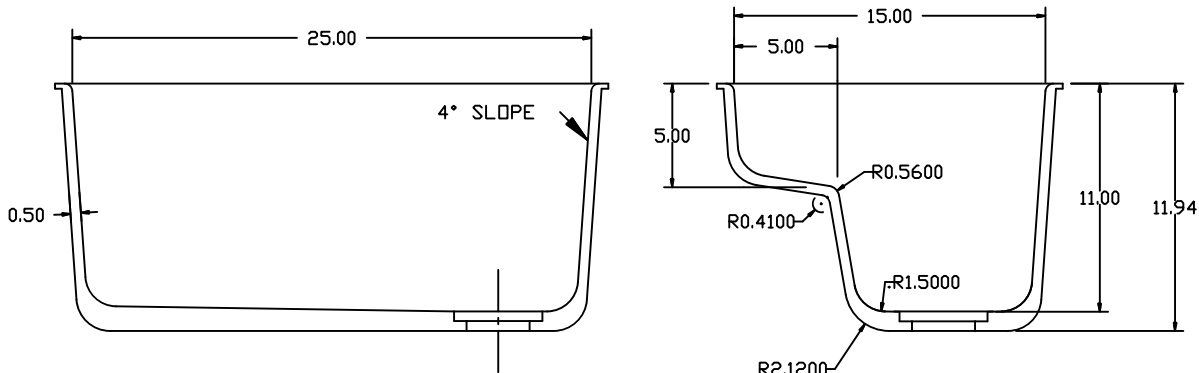
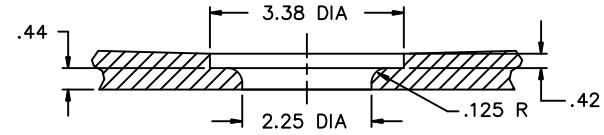


PLAN VIEW

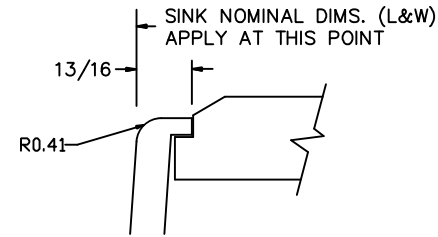


SECTION A-A

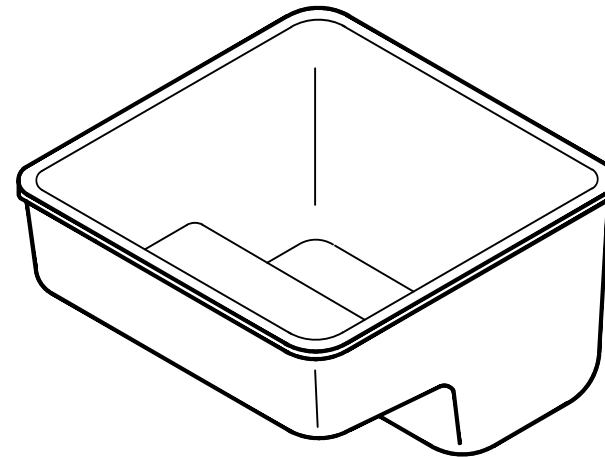
SECTION B-B



DRAIN OPENING DETAIL
SECTION A-A



WALL DETAIL AT LIP



ISOMETRIC VIEW

"DIMENSIONS ARE NOMINAL, PROVIDED FOR PLANNING PURPOSES ONLY.
CONTACT DURCON FOR RECOMMENDED SINK CUTOUT DIMENSIONS TO INSURE A QUALITY INSTALLATION."

REV : 10/27/14

SINK	WEIGHT	OUTLET LOCAL.	CODE
ADA56	70 LBS	CORNER	SNKA-56-*

FACTORY TAYLOR TX

DATE: 01/07/09
SCALE: 1=1
DRAWN: BKT
FILE: A56.DWG