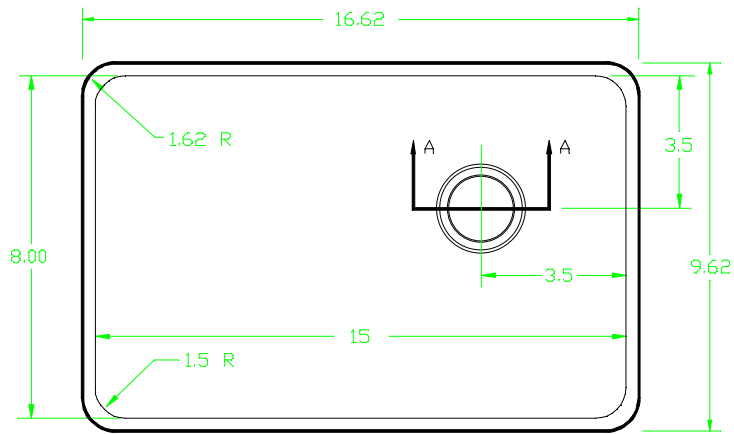
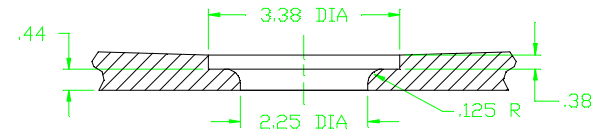


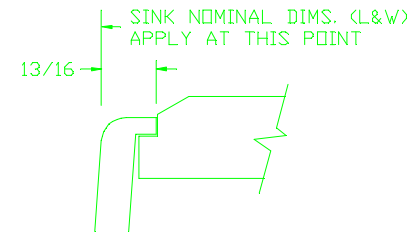
FRONT VIEW



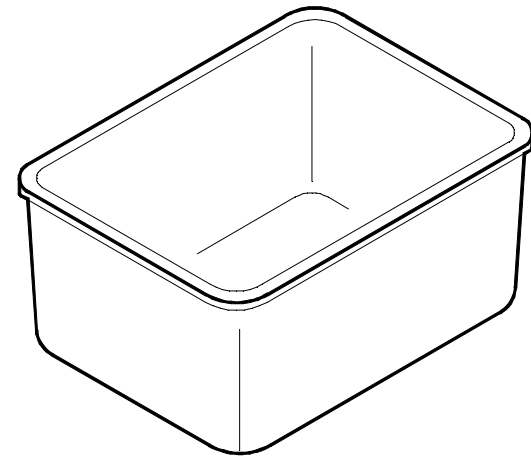
TOP VIEW



DRAIN OPENING DETAIL
SECTION A-A



WALL DETAIL AT LIP



ISOMETRIC VIEW

DROP-IN SINK

NOTE: ALL DIMENSIONS REFLECT ACTUAL SINK SIZES +/- .0625

REV. # _____
DATE: 9/08/98 KJR

SINK	WEIGHT	OUTLET LOCAL.	CODE
D09	25 LBS	CORNER	SNKD-09-*

DURCON[™]
INCORPORATED

DATE: 03/20/98
SCALE: N.T.S.
DRAWN: KJR
FILE: D09.DWG