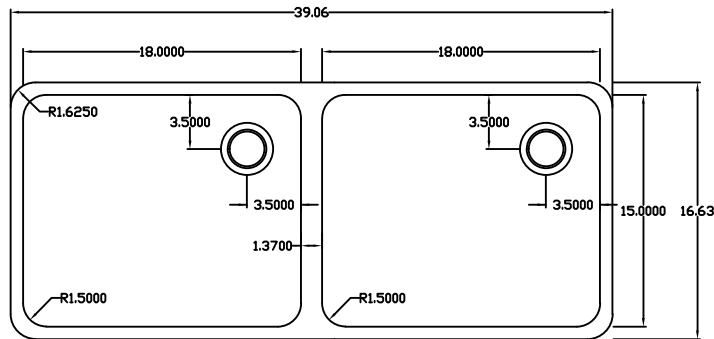
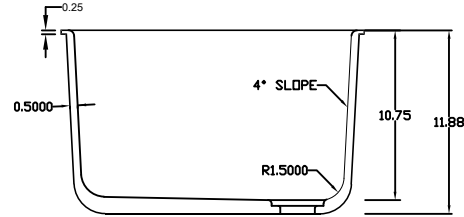
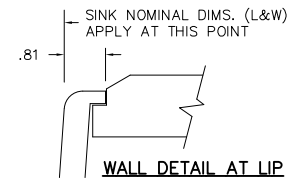


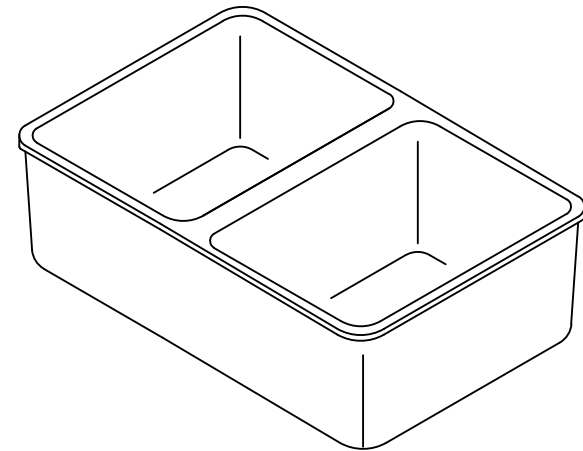
DURCONTM INCORPORATED



SECTION NOT TO SCALE



DETAIL NOT TO SCALE



"DIMENSIONS ARE NOMINAL, PROVIDED FOR PLANNING PURPOSES ONLY.
CONTACT DURCON FOR RECOMMENDED SINK CUTOUT DIMENSIONS TO INSURE A QUALITY INSTALLATION."

SINK	WEIGHT	OUTLET LOCAL.	CODE
D30D	110 LBS	CORNER	SNKD-30D

FACTORY TAYLOR TX

DATE: 4/27/10
SCALE: 1=1
DRAWN: RMJ
FILE: D30D.DWG