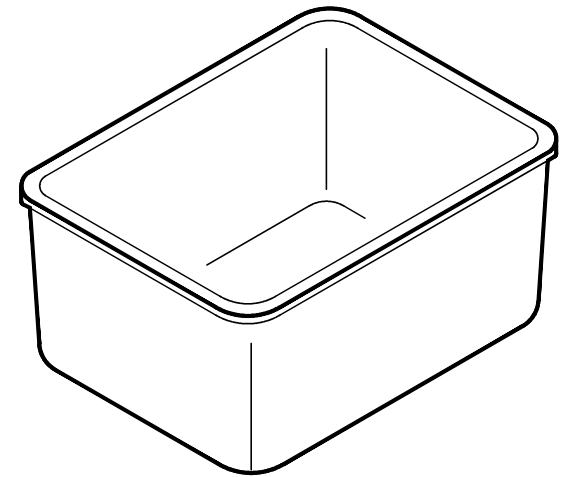
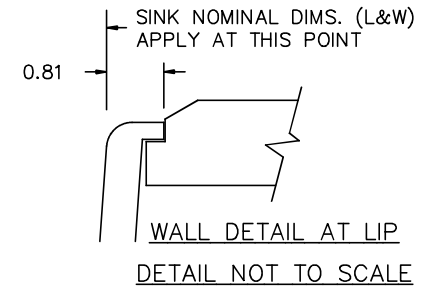
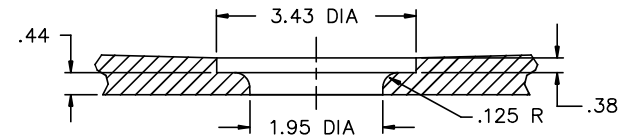
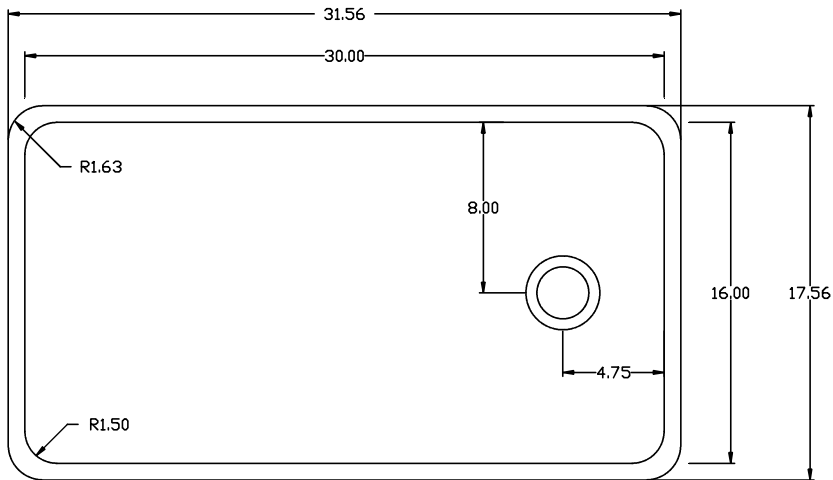
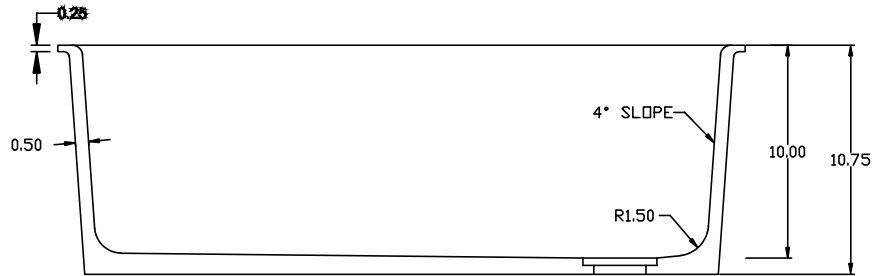


DURCONTM INCORPORATED



"DIMENSIONS ARE NOMINAL, PROVIDED FOR PLANNING PURPOSES ONLY.
CONTACT DURCON FOR RECOMMENDED SINK CUTOUT DIMENSIONS TO INSURE A QUALITY INSTALLATION."

SINK	WEIGHT	OUTLET LOCAL.	CODE
D68E	120 LBS	END	SNKD-68E-*

FACTORY TAYLOR TX

DATE: 01/24/12
SCALE: 1=1
DRAWN: BKT
FILE: D68E.DWG