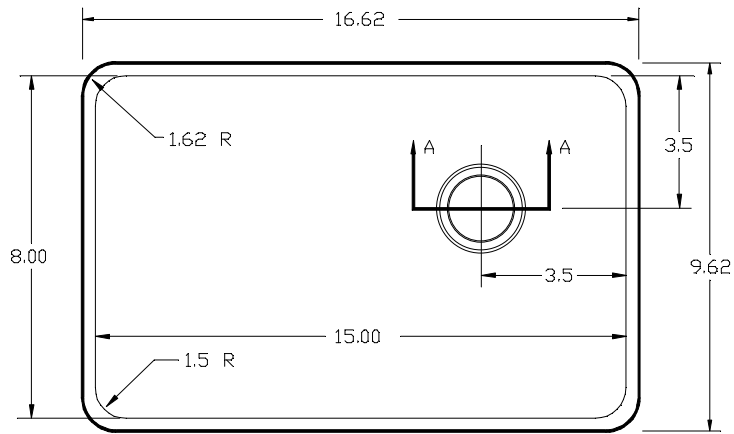
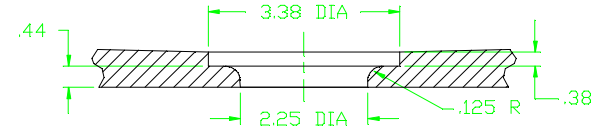


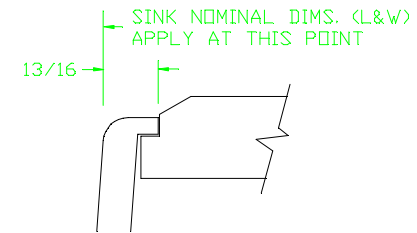
FRONT VIEW



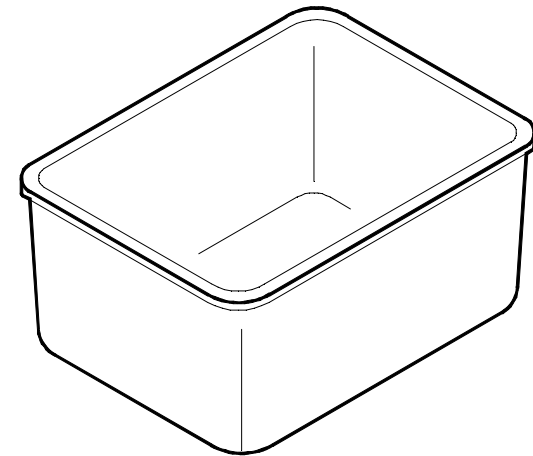
TOP VIEW



DRAIN OPENING DETAIL
SECTION A-A



WALL DETAIL AT LIP



ISOMETRIC VIEW

DROP-IN SINK

NOTE: ALL DIMENSIONS REFLECT ACTUAL SINK SIZES +/- .0625

REV. # _____
DATE: _____

SINK	WEIGHT	OUTLET LOCAL.	CODE
D08	?? LBS	CORNER	SNKD-08-*

DURCON™
INCORPORATED

DATE: 04/23/04
SCALE: N.T.S.
DRAWN: KJR
FILE: D08.DWG