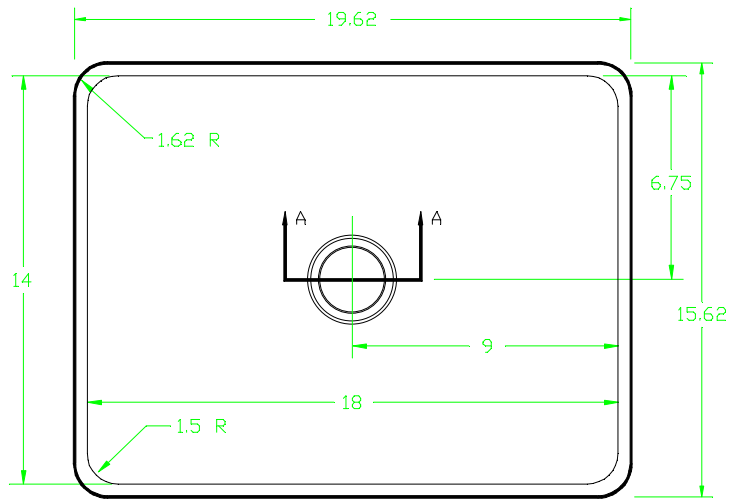
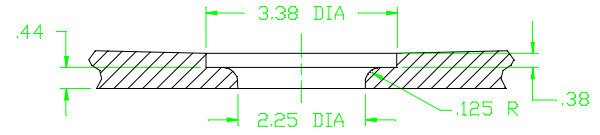


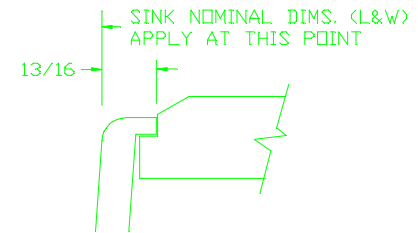
FRONT VIEW



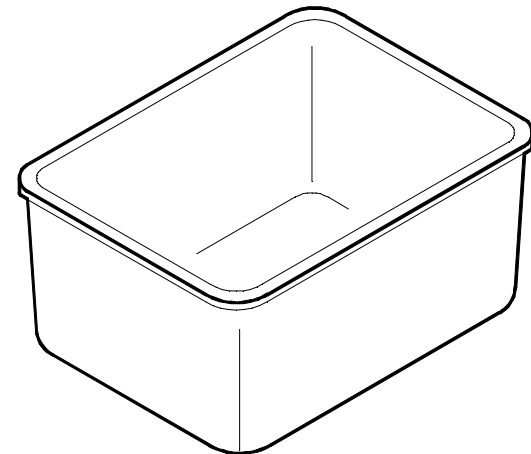
TOP VIEW



DRAIN OPENING DETAIL
SECTION A-A



WALL DETAIL AT LIP



ISOMETRIC VIEW

DROP-IN SINK

NOTE: ALL DIMENSIONS REFLECT ACTUAL SINK SIZES +/- .0625

REV. # _____
DATE: 7/24/07 MRT

SINK	WEIGHT	OUTLET LOCAL.	CODE
D24	?	CENTER	SNKD-24-*

DURCONTM
INCORPORATED

DATE: 07/24/07
SCALE: N.T.S.
DRAWN: MRT
FILE: D24.DWG