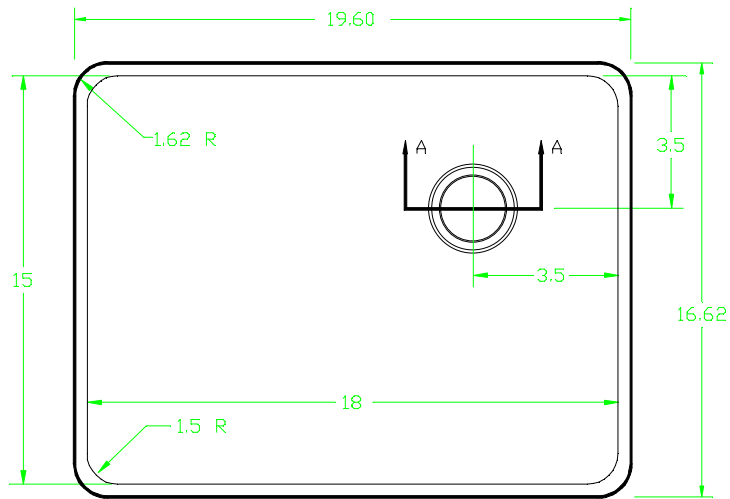
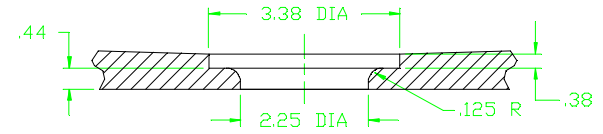


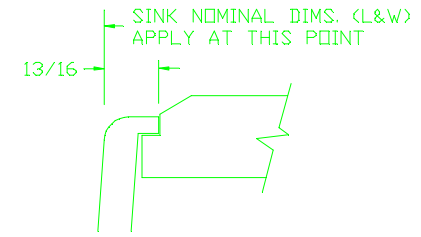
FRONT VIEW



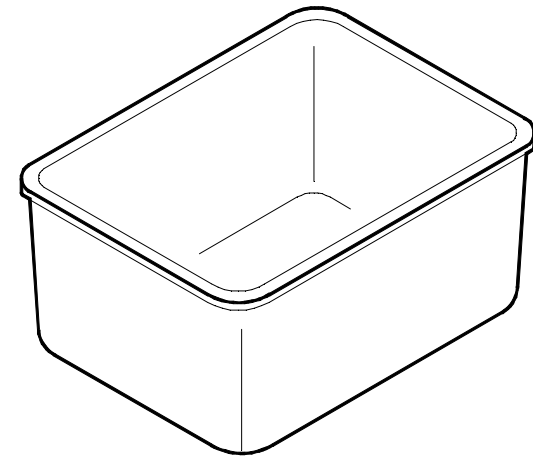
TOP VIEW



DRAIN OPENING DETAIL  
SECTION A-A



WALL DETAIL AT LIP



ISOMETRIC VIEW

DROP-IN SINK

NOTE: ALL DIMENSIONS REFLECT ACTUAL SINK SIZES +/- .0625

REV. # \_\_\_\_\_  
DATE: 9/08/98 KJR

SINK	WEIGHT	OUTLET LOCAL.	CODE
D32	49 LBS	CORNER	SNKD-32-*

**DURCON**<sup>TM</sup>  
INCORPORATED

DATE: 04/09/98  
SCALE: N.T.S.  
DRAWN: KJR  
FILE: D32.DWG