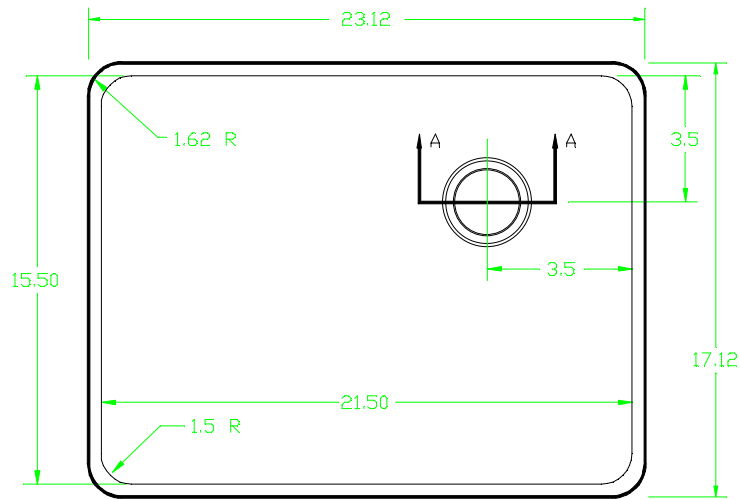
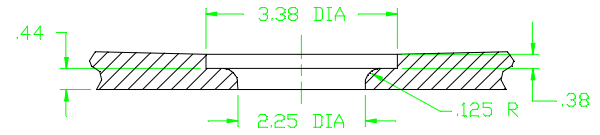


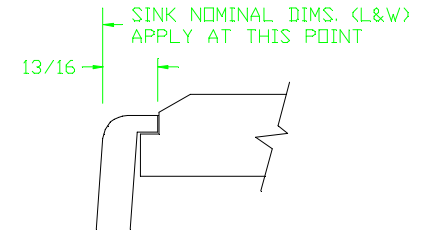
FRONT VIEW



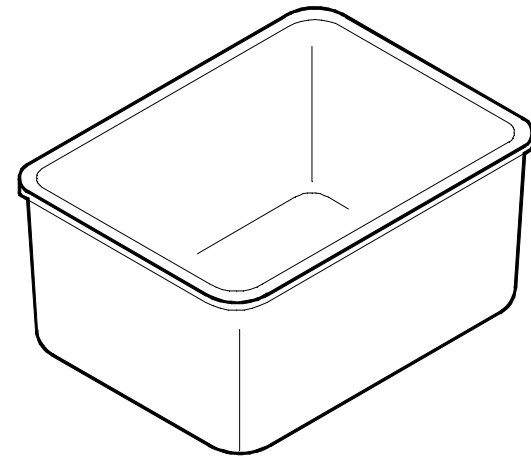
TOP VIEW



DRAIN OPENING DETAIL
SECTION A-A



WALL DETAIL AT LIP



ISOMETRIC VIEW

DROP-IN SINK

NOTE: ALL DIMENSIONS REFLECT ACTUAL SINK SIZES +/- .0625

REV. # _____
DATE: _____

SINK	WEIGHT	OUTLET LOCAL.	CODE
D45	61 LBS	CORNER	SNKD-45-*

DURCONTM
INCORPORATED

DATE: 11/02/99
SCALE: N.T.S.
DRAWN: KJR
FILE: D45.DWG