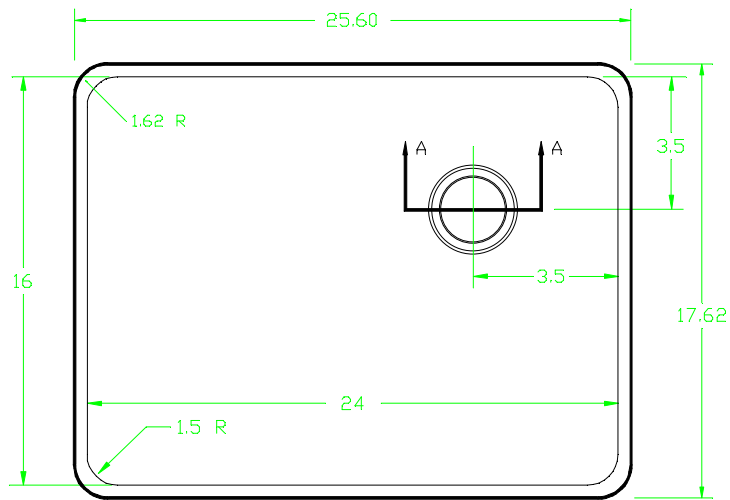
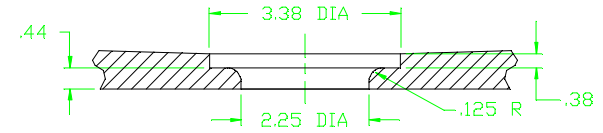


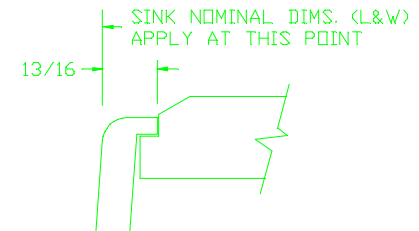
FRONT VIEW



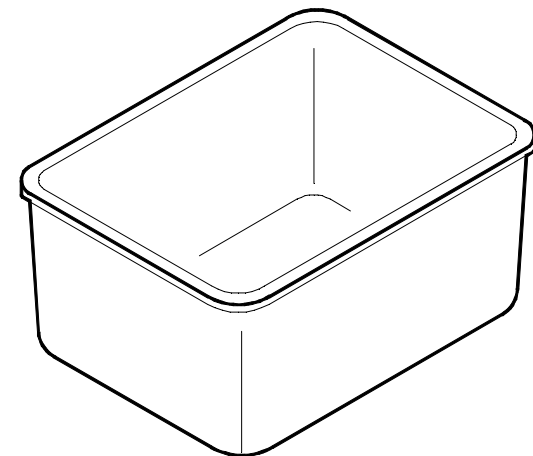
TOP VIEW



DRAIN OPENING DETAIL  
 SECTION A-A



WALL DETAIL AT LIP



ISOMETRIC VIEW

DROP-IN SINK

NOTE: ALL DIMENSIONS REFLECT ACTUAL SINK SIZES +/- .0625

REV. # \_\_\_\_\_  
 DATE: 9/08/98 KJR

SINK	WEIGHT	OUTLET LOCAL.	CODE
D51	60 LBS	CORNER	SNKD-51-*

**DURCON**<sup>TM</sup>  
 INCORPORATED

DATE: 10/09/97  
 SCALE: N.T.S.  
 DRAWN: LDC/KJR  
 FILE: D51.DWG