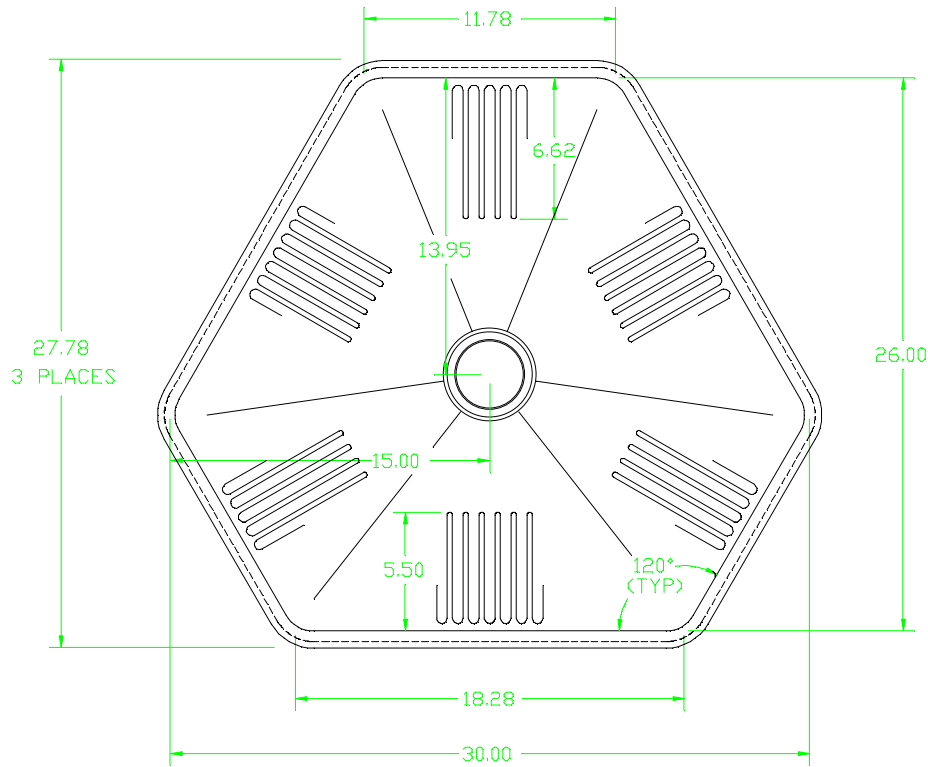
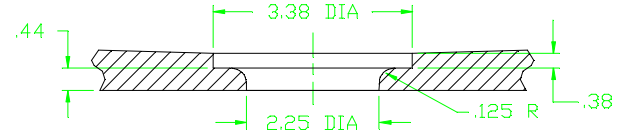


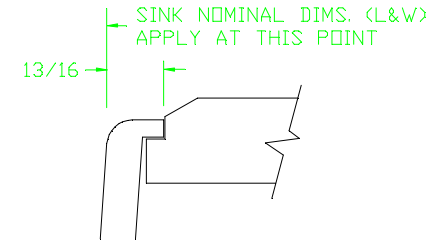
FRONT VIEW



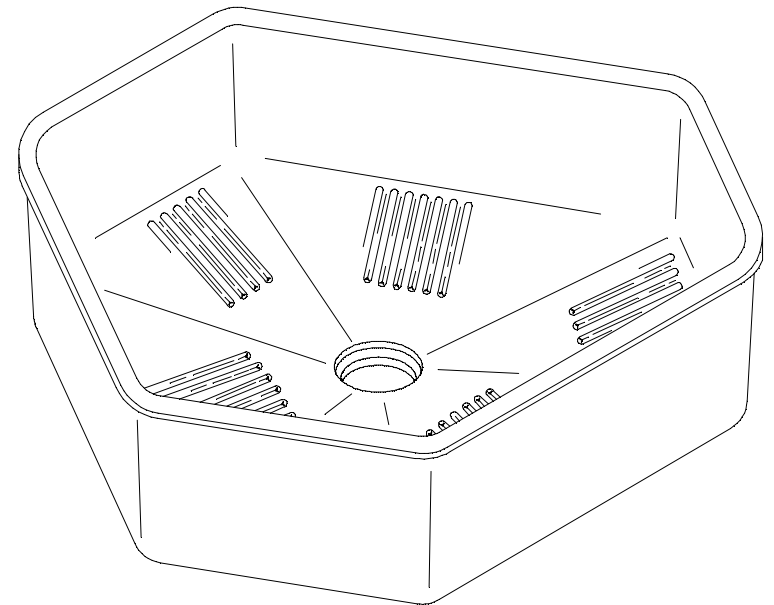
TOP VIEW



DRAIN OPENING DETAIL
SECTION A-A



WALL DETAIL AT LIP



ISOMETRIC VIEW

NOTE: ALL DIMENSIONS NOMINAL

REV. # ____
DATE: _____

SINK	WEIGHT	OUTLET LOCAL.	CODE
DHEX	65 LBS	CENTER	SNKD-C20C-*

DURCONTM
INCORPORATED

DATE: 06/25/99
SCALE: N.T.S.
DRAWN: KJR
FILE: DH20C.DWG