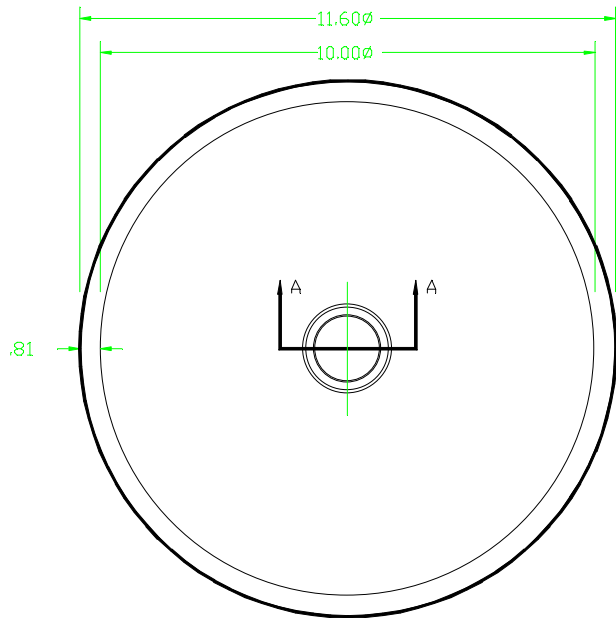
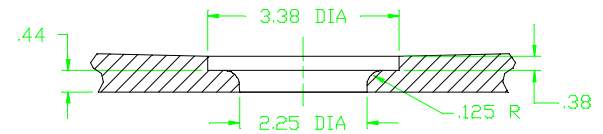


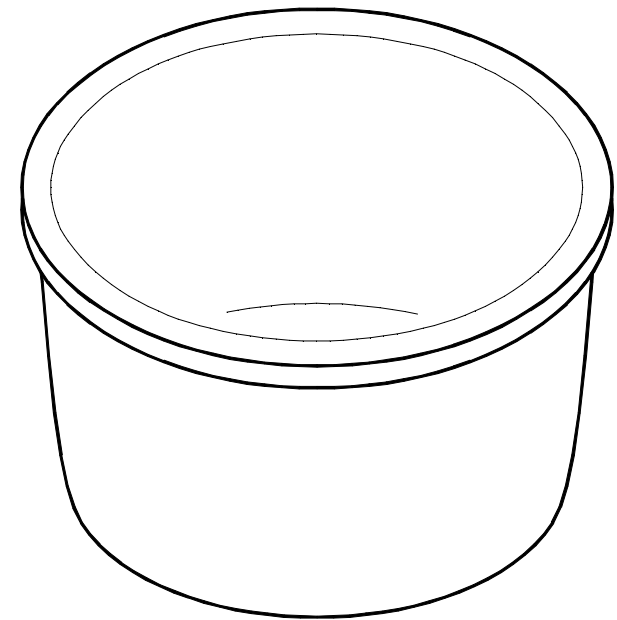
FRONT VIEW



TOP VIEW



DRAIN OPENING DETAIL
SECTION A-A



ISOMETRIC VIEW

DROP-IN CYLINDRICAL SINK

NOTE: ALL DIMENSIONS REFLECT ACTUAL SINK SIZES +/- .0625

REV. # _____
DATE: 9/08/98 KJR

SINK	WEIGHT	OUTLET LOCAL.	CODE
DR10	14 LBS.	CENTER	SNKD-10R-*

DURCONTM
INCORPORATED

DATE: 10/14/97
SCALE: N.T.S.
DRAWN: LDC/KJR
FILE: DR10.DWG