



STYLIST GROUP DOUBLE COMPARTMENT LEDGEBACK/NO LEDGE EXTRA DEEP 18 GAUGE

SPECIFICATIONS - STYLIST GROUP A - 18 GAUGE

- JUST Stylist Group A, seamless die-drawn construction of 18 gauge type 304, 18-8, stainless steel
- Interior surfaces polished to a non-porous Hand-Blended JUST finish, with highlighted bowl rim
- Fully coated underside insulates for sound and reduces condensation
- Straight-sided sink bowl with 1 3/4" radius corners provides greater capacity
- Self-rimming top mount Grip-Rim Plus with 300 series stainless steel mounting channels
- Conforms to ASME/ANSI A112.19.3M
- Drain punch #35 for Just J-35 unless otherwise specified

DLXD-2237-A-GR-T

Includes: JWF-201 Faucet with Spray, JB-99 Drains



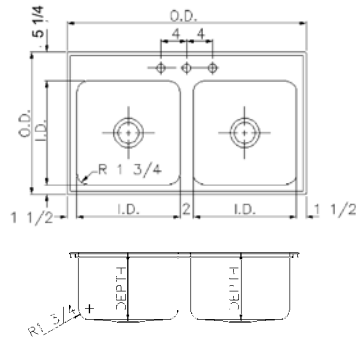
DXD-1943-A-GR-T

Includes: 2, JBRC-94 Remote control Pop-up drains

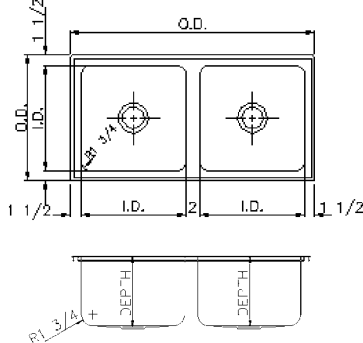


STYLIST GROUP A

DLX-DLXD SERIES 18 GAUGE



DX-DXD SERIES 18 GAUGE



TYPE 316 Most JUST Stylist 18 gauge models are available in type 316 Stainless Steel, which offers greater corrosion resistance in harsh environments. See Page 8 for further information.

DOUBLE BOWL - 18 GAUGE - EXTRA DEEP			
Model No.	O.D. ¹	I.D. ²	Depth
DLX-1829-A-GR	18 x 29	12 x 12	9
DLX-1925-A-GR ³	19 x 25	14 x 10	10
DLX-1933-A-GR ³⁻⁴	19 x 33	14 x 14	10-1/2
DLX-2025-A-GR	20 x 25	14 x 10	10
DLX-2133-A-GR ³⁻⁴	21 x 33	16 x 14	10-1/2
DLX-2233-A-GR ⁴	22 x 33	16 x 14	10-1/2
DLX-2237-A-GR	22 x 37	16 x 16	10-1/2
DLX-2243-A-GR	22 x 43	16 x 19	10-1/2
DLX-2249-A-GR	22 x 49	16 x 22	10-1/2
DLX-2261-A-GR	22 x 61	16 x 28	10-1/2
DLXD-2133-A-GR ³⁻⁴	21 x 33	16 x 14	12
DLXD-2233-A-GR ⁴	22 x 33	16 x 14	12
DLXD-2237-A-GR	22 x 37	16 x 16	12
DLXD-2243-A-GR	22 x 43	16 x 19	12
DLXD-2249-A-GR	22 x 49	16 x 22	12
DLXD-2261-A-GR	22 x 61	16 x 28	12

DOUBLE BOWL - 18 GAUGE - NO LEDGE - EXTRA DEEP			
Model No.	O.D. ¹	I.D. ²	Depth
DX-1529-A-GR	15 x 29	12 x 12	9
DX-1933-A-GR	19 x 33	16 x 14	10-1/2
DX-1937-A-GR	19 x 37	16 x 16	10-1/2
DX-1943-A-GR	19 x 43	16 x 19	10-1/2
DX-1949-A-GR	19 x 49	16 x 22	10-1/2
DXD-1933-A-GR	19 x 33	16 x 14	12
DXD-1937-A-GR	19 x 37	16 x 16	12
DXD-1943-A-GR	19 x 43	16 x 19	12
DXD-1949-A-GR	19 x 49	16 x 22	12

¹ O.D. - Overall Dimensions (Front-to-Back X Left-to-Right)

² I.D. - Inside Dimensions (Front-to-Back X Left-to-Right)

³ Faucet flange 3-1/2.

⁴ Side flanges 1-15/16. Partition 1-1/8.

All dimensions shown in inches.