



STYLIST GROUP ADA COMPLIANT SINGLE COMPARTMENT LEDGEBACK • NO LEDGE 18 GAUGE

SPECIFICATIONS - STYLIST GROUP A - 18 GAUGE

- JUST ADA Stylist Group A, seamless die-drawn construction of 18 gauge type 304, 18-8, stainless steel
- Interior surfaces polished to a non-porous Hand-Blended JUST finish, with highlighted bowl rim
- Smooth, fully coated underside insulates for sound and reduces condensation
- Straight-sided compartment with 1 3/4" radius corners provides greater capacity
- Self-rimming top mount Grip-Rim Plus with 300 series stainless steel mounting channels
- Conforms to ASME/ANSI A112.19.3M
- Drain punch #35 centered at rear for Just J-35 unless otherwise specified

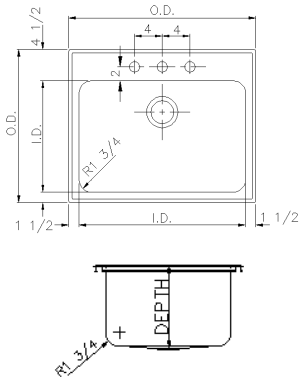
BOWL DEPTHS AVAILABLE 4-1/2" THROUGH 6-1/2", IN 1/2" INCREMENTS. SPECIFY DEPTH. SPECIFY DRAIN LOCATIONS FOR ADA COMPLIANT SINKS. CENTER, LEFT REAR, RIGHT REAR OR CENTER REAR.

SL-ADA-1921-A-GR-T

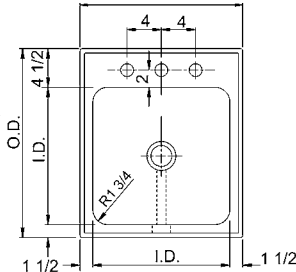
Includes: JTR-51-W4 ADA Compliant Faucet, J-ADA-35 Drain system



SL-ADA SERIES 18 GAUGE



SLF-ADA SERIES



TYPE 316 Most JUST Stylist 18 gauge models are available in type 316 Stainless Steel, which offers greater corrosion resistance in harsh environments. See Page 14 for further information.

ADA COMPLIANT - SINGLE BOWL - 18 GAUGE - LEDGEBACK

Model No.	O.D. ¹	I.D. ²	Depth
SL-ADA-1613-A-GR ⁵	16 x 13	10 x 10	4-1/2 to 6-1/2
SL-ADA-1617-A-GR	16 x 17	10 x 14	4-1/2 to 6-1/2
SL-ADA-17519-A-GR	17-1/2 x 19	11-1/2 x 16	4-1/2 to 6-1/2
SL-ADA-1815-A-GR	18 x 15	12 x 12	4-1/2 to 6-1/2
SL-ADA-1921-A-GR	19 x 21	14 x 18	4-1/2 to 6-1/2
SL-ADA-2017-A-GR	20 x 17	14 x 14	4-1/2 to 6-1/2
SL-ADA-2019-A-GR	20 x 19	14 x 16	4-1/2 to 6-1/2
SL-ADA-2117-A-GR ³	21 x 17	16 x 14	4-1/2 to 6-1/2
SL-ADA-2119-A-GR ³	21 x 19	16 x 16	4-1/2 to 6-1/2
SL-ADA-2122-A-GR ³	21 x 22	16 x 19	4-1/2 to 6-1/2
SL-ADA-2125-A-GR ³	21 x 25	16 x 22	4-1/2 to 6-1/2
SL-ADA-2131-A-GR ³	21 x 31	16 x 28	4-1/2 to 6-1/2
SL-ADA-2133-A-GR ^{3,4}	21 x 33	16 x 28	4-1/2 to 6-1/2
SL-ADA-22145-A-GR	22 x 14-1/2	16 x 11-1/2	4-1/2 to 6-1/2
SL-ADA-2217-A-GR	22 x 17	16 x 14	4-1/2 to 6-1/2
SL-ADA-2219-A-GR	22 x 19	16 x 16	4-1/2 to 6-1/2
SL-ADA-2222-A-GR	22 x 22	16 x 19	4-1/2 to 6-1/2
SL-ADA-2225-A-GR	22 x 25	16 x 22	4-1/2 to 6-1/2
SL-ADA-2231-A-GR	22 x 31	16 x 28	4-1/2 to 6-1/2
SL-ADA-2233-A-GR ⁴	22 x 33	16 x 28	4-1/2 to 6-1/2

NEW! WITH INTEGRA-FLOW SYSTEM

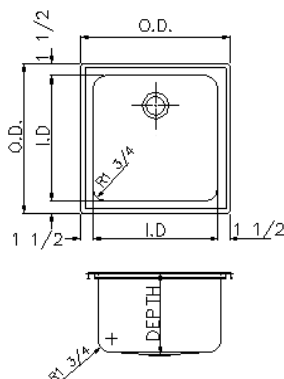
Model No.	O.D. ¹	I.D. ²	Depth
SLF-ADA-1613-A-GR ⁵	16 x 13	10 x 10	4-1/2 to 6-1/2
SLF-ADA-1617-A-GR	16 x 17	10 x 14	4-1/2 to 6-1/2
SLF-ADA-17519-A-GR	17-1/2 x 19	11-1/2 x 16	4-1/2 to 6-1/2
SLF-ADA-1815-A-GR	18 x 15	12 x 12	4-1/2 to 6-1/2
SLF-ADA-1921-A-GR	19 x 21	14 x 18	4-1/2 to 6-1/2
SLF-ADA-2017-A-GR	20 x 17	14 x 14	4-1/2 to 6-1/2
SLF-ADA-2019-A-GR	20 x 19	14 x 16	4-1/2 to 6-1/2
SLF-ADA-2117-A-GR ³	21 x 17	16 x 14	4-1/2 to 6-1/2
SLF-ADA-2119-A-GR ³	21 x 19	16 x 16	4-1/2 to 6-1/2
SLF-ADA-2122-A-GR ³	21 x 22	16 x 19	4-1/2 to 6-1/2
SLF-ADA-2125-A-GR ³	21 x 25	16 x 22	4-1/2 to 6-1/2
SLF-ADA-2131-A-GR ³	21 x 31	16 x 28	4-1/2 to 6-1/2
SLF-ADA-2133-A-GR ^{3,4}	21 x 33	16 x 28	4-1/2 to 6-1/2
SLF-ADA-22145-A-GR	22 x 14-1/2	16 x 11-1/2	4-1/2 to 6-1/2
SLF-ADA-2217-A-GR	22 x 17	16 x 14	4-1/2 to 6-1/2
SLF-ADA-2219-A-GR	22 x 19	16 x 16	4-1/2 to 6-1/2
SLF-ADA-2222-A-GR	22 x 22	16 x 19	4-1/2 to 6-1/2
SLF-ADA-2225-A-GR	22 x 25	16 x 22	4-1/2 to 6-1/2
SLF-ADA-2231-A-GR	22 x 31	16 x 28	4-1/2 to 6-1/2
SLF-ADA-2233-A-GR ⁴	22 x 33	16 x 28	4-1/2 to 6-1/2

S-ADA-1922-A-GR-T

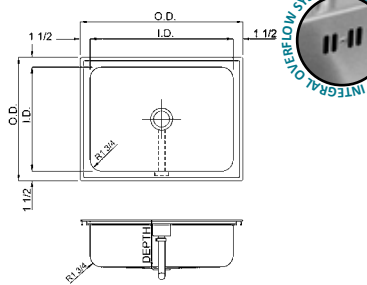
Includes: J-ADA-35 Drain system



S-ADA SERIES 18 GAUGE



SF-ADA SERIES



ADA COMPLIANT - SINGLE BOWL - 18 GAUGE - NO LEDGE

Model No.	O.D. ¹	I.D. ²	Depth
S-ADA-1313-A-GR ⁵	13 x 13	10 x 10	4-1/2 to 6-1/2
S-ADA-14519-A-GR	14-1/2 x 19	11-1/2 x 16	4-1/2 to 6-1/2
S-ADA-1515-A-GR	15 x 15	12 x 12	4-1/2 to 6-1/2
S-ADA-1717-A-GR	17 x 17	14 x 14	4-1/2 to 6-1/2
S-ADA-1719-A-GR	17 x 19	14 x 16	4-1/2 to 6-1/2
S-ADA-1721-A-GR	17 x 21	14 x 18	4-1/2 to 6-1/2
S-ADA-1917-A-GR	19 x 17	16 x 14	4-1/2 to 6-1/2
S-ADA-1919-A-GR	19 x 19	16 x 16	4-1/2 to 6-1/2
S-ADA-1922-A-GR	19 x 22	16 x 19	4-1/2 to 6-1/2
S-ADA-1925-A-GR	19 x 25	16 x 22	4-1/2 to 6-1/2

NEW! WITH INTEGRA-FLOW SYSTEM

Model No.	O.D. ¹	I.D. ²	Depth
SF-ADA-1313-A-GR ⁵	13 x 13	10 x 10	4-1/2 to 6-1/2
SF-ADA-14519-A-GR	14-1/2 x 19	11-1/2 x 16	4-1/2 to 6-1/2
SF-ADA-1515-A-GR	15 x 15	12 x 12	4-1/2 to 6-1/2
SF-ADA-1717-A-GR	17 x 17	14 x 14	4-1/2 to 6-1/2
SF-ADA-1719-A-GR	17 x 19	14 x 16	4-1/2 to 6-1/2
SF-ADA-1721-A-GR	17 x 21	14 x 18	4-1/2 to 6-1/2
SF-ADA-1917-A-GR	19 x 17	16 x 14	4-1/2 to 6-1/2
SF-ADA-1919-A-GR	19 x 19	16 x 16	4-1/2 to 6-1/2
SF-ADA-1922-A-GR	19 x 22	16 x 19	4-1/2 to 6-1/2
SF-ADA-1925-A-GR	19 x 25	16 x 22	4-1/2 to 6-1/2

All dimensions shown in inches.

¹ O.D. - Overall Dimensions (Front-to-Back X Left-to-Right)
² I.D. - Inside Dimensions (Front-to-Back X Left-to-Right)
³ Faucet flange 3-1/2 ⁴ Side flanges 2-1/2 ⁵ Drain punched centered

ADA COMPLIANT