

STYLIST GROUP ADA COMPLIANT DOUBLE/TRIPLE COMPARTMENT 18 GAUGE

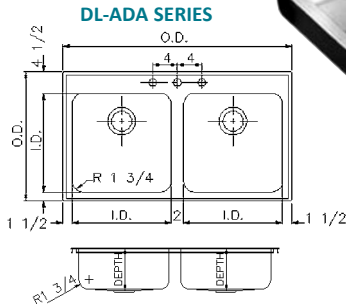
SPECIFICATIONS - ADA COMPLIANT - 18 GAUGE

JUST ADA Stylist Group A, seamless die-drawn construction of 18 gauge type 304, 18-8, stainless steel • Interior surfaces polished to a non-porous Hand-Blended JUST finish, with highlighted bowl rim • Smooth, fully coated underside insulates for sound and reduces condensation • Straight-sided compartment with 1 3/4" radius corners provides greater capacity • Self-rimming top mount Grip-Rim Plus with 300 series stainless steel mounting channels • Conforms to ASME/ANSI A112.19.3M • Drain punch #35 centered at rear, for Just J-35 unless otherwise specified

DL-ADA-2243-A-GR-T

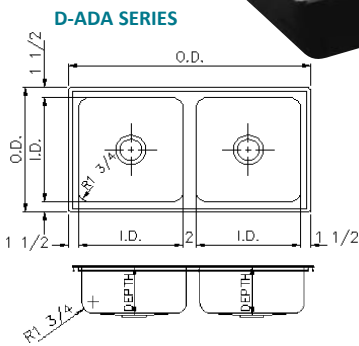


Shown with:
 (1) J-1174-KS ADA Compliant Faucet
 (2) J-ADA-35 Drain system



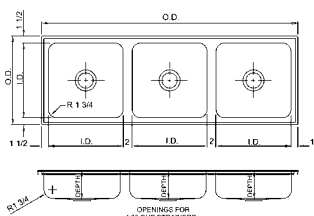
D-ADA-1933-A-GR-T

Includes: 2, J-35 Drains

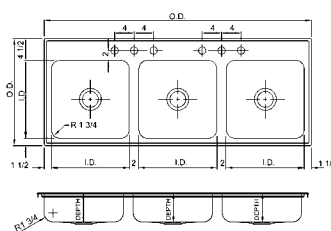


TRIPLE COMPARTMENT

T-ADA SERIES 18 GAUGE



TL-ADA SERIES 18 GAUGE



Bowl depths available 4-1/2" Through 6-1/2", in 1/2" increments. Specify depth. Specify drain location on all ADA Compliant sinks; center / left rear / right rear or center rear location.

Unless otherwise specified drain location is centered at rear of bowl.

TYPE 316 Most JUST Stylist 18 gauge models are available in type 316 Stainless Steel, which offers greater corrosion resistance in harsh environments. See Page 14 for further information.

ADA COMPLIANT - DOUBLE BOWL - WITH FAUCET LEDGE- 18 GAUGE			
Model No.	O.D. ¹	I.D. ²	Depth
DL-ADA-1625-A-GR	16 x 25	10 x 10	4-1/2 to 6-1/2
DL-ADA-17537-A-GR	17-1/2 x 37	11-1/2 x 16	4-1/2 to 6-1/2
DL-ADA-1829-A-GR	18 x 29	12 x 12	4-1/2 to 6-1/2
DL-ADA-1925-A-GR ³	19 x 25	14 x 10	4-1/2 to 6-1/2
DL-ADA-1933-A-GR ³⁻⁴	19 x 33	14 x 14	4-1/2 to 6-1/2
DL-ADA-2025-A-GR	20 x 25	14 x 10	4-1/2 to 6-1/2
DL-ADA-2037-A-GR	20 x 37	14 x 16	4-1/2 to 6-1/2
DL-ADA-2128-A-GR ³	21 x 28	16 x 11-1/2	4-1/2 to 6-1/2
DL-ADA-2133-A-GR ³⁻⁴	21 x 33	16 x 14	4-1/2 to 6-1/2
DL-ADA-2137-A-GR ³	21 x 37	16 x 16	4-1/2 to 6-1/2
DL-ADA-2143-A-GR ³	21 x 43	16 x 19	4-1/2 to 6-1/2
DL-ADA-2228-A-GR	22 x 28	16 x 11-1/2	4-1/2 to 6-1/2
DL-ADA-2233-A-GR ⁴	22 x 33	16 x 14	4-1/2 to 6-1/2
DL-ADA-2237-A-GR	22 x 37	16 x 16	4-1/2 to 6-1/2
DL-ADA-2243-A-GR	22 x 43	16 x 19	4-1/2 to 6-1/2
DL-ADA-2249-A-GR	22 x 49	16 x 22	4-1/2 to 6-1/2
DL-ADA-2261-A-GR	22 x 61	16 x 28	4-1/2 to 6-1/2

NEW! WITH INTEGRA-FLOW SYSTEM			
DLF-ADA-1625-A-GR	16 x 25	10 x 10	4-1/2 to 6-1/2
DLF-ADA-17537-A-GR	17-1/2 x 37	11-1/2 x 16	4-1/2 to 6-1/2
DLF-ADA-1829-A-GR	18 x 29	12 x 12	4-1/2 to 6-1/2
DLF-ADA-1925-A-GR ³	19 x 25	14 x 10	4-1/2 to 6-1/2
DLF-ADA-1933-A-GR ³⁻⁴	19 x 33	14 x 14	4-1/2 to 6-1/2
DLF-ADA-2025-A-GR	20 x 25	14 x 10	4-1/2 to 6-1/2
DLF-ADA-2037-A-GR	20 x 37	14 x 16	4-1/2 to 6-1/2
DLF-ADA-2128-A-GR ³	21 x 28	16 x 11-1/2	4-1/2 to 6-1/2
DLF-ADA-2133-A-GR ³⁻⁴	21 x 33	16 x 14	4-1/2 to 6-1/2
DLF-ADA-2137-A-GR ³	21 x 37	16 x 16	4-1/2 to 6-1/2
DLF-ADA-2143-A-GR ³	21 x 43	16 x 19	4-1/2 to 6-1/2
DLF-ADA-2228-A-GR	22 x 28	16 x 11-1/2	4-1/2 to 6-1/2
DLF-ADA-2233-A-GR ⁴	22 x 33	16 x 14	4-1/2 to 6-1/2
DLF-ADA-2237-A-GR	22 x 37	16 x 16	4-1/2 to 6-1/2
DLF-ADA-2243-A-GR	22 x 43	16 x 19	4-1/2 to 6-1/2
DLF-ADA-2249-A-GR	22 x 49	16 x 22	4-1/2 to 6-1/2
DLF-ADA-2261-A-GR	22 x 61	16 x 28	4-1/2 to 6-1/2

ADA COMPLIANT - DOUBLE BOWL - 18 GAUGE - W/O FAUCET LEDGE			
Model No.	O.D. ¹	I.D. ²	Depth
D-ADA-1325-A-GR	13 x 25	10 x 10	4-1/2 to 6-1/2
D-ADA-1529-A-GR	15 x 29	12 x 12	4-1/2 to 6-1/2
D-ADA-1933-A-GR	19 x 33	16 x 14	4-1/2 to 6-1/2
D-ADA-1937-A-GR	19 x 37	16 x 16	4-1/2 to 6-1/2
D-ADA-1943-A-GR	19 x 43	16 x 19	4-1/2 to 6-1/2
D-ADA-1949-A-GR	19 x 49	16 x 22	4-1/2 to 6-1/2

NEW! WITH INTEGRA-FLOW SYSTEM			
DF-ADA-1325-A-GR	13 x 25	10 x 10	4-1/2 to 6-1/2
DF-ADA-1529-A-GR	15 x 29	12 x 12	4-1/2 to 6-1/2
DF-ADA-1933-A-GR	19 x 33	16 x 14	4-1/2 to 6-1/2
DF-ADA-1937-A-GR	19 x 37	16 x 16	4-1/2 to 6-1/2
DF-ADA-1943-A-GR	19 x 43	16 x 19	4-1/2 to 6-1/2
DF-ADA-1949-A-GR	19 x 49	16 x 22	4-1/2 to 6-1/2

ADA COMPLIANT - W/O FAUCET LEDGE - TRIPLE BOWL - 18 GAUGE			
Model No.	O.D. ¹	I.D. ²	Depth
T-ADA-1543-A-GR	15 x 43	12 x 12	4-1/2 to 6-1/2
T-ADA-1949-A-GR	19 x 49	16 x 14	4-1/2 to 6-1/2

ADA COMPLIANT - WITH FAUCET LEDGE - TRIPLE BOWL - 18 GAUGE			
Model No.	O.D. ¹	I.D. ²	Depth
TL-ADA-1843-A-GR	18 x 43	12 x 12	4-1/2 to 6-1/2
TL-ADA-2249-A-GR	22 x 49	16 x 14	4-1/2 to 6-1/2
TL-ADA-2255-A-GR	22 x 55	16 x 16	4-1/2 to 6-1/2

¹ O.D. - Overall Dimensions (Front-to-Back X Left-to-Right)

² I.D. - Inside Dimensions (Front-to-Back X Left-to-Right)

³ Faucet flange 3-1/2.

⁴ Side flanges 1-15/16. Partition 1-1/8.

