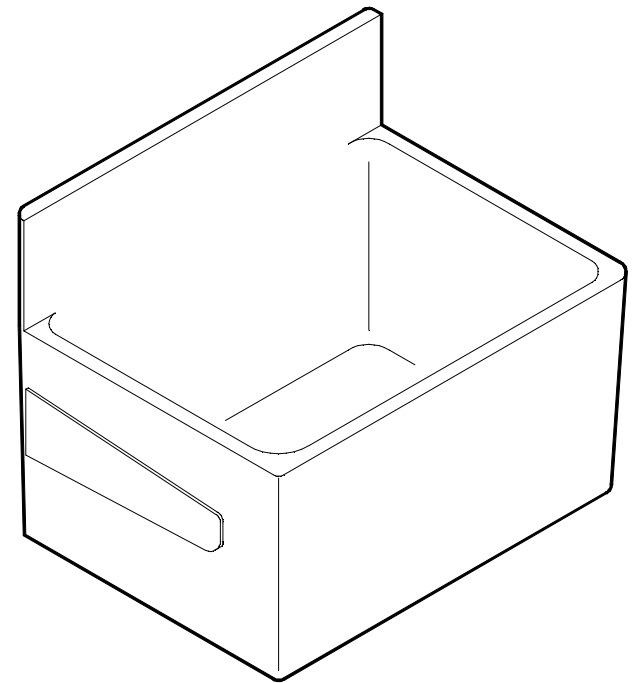
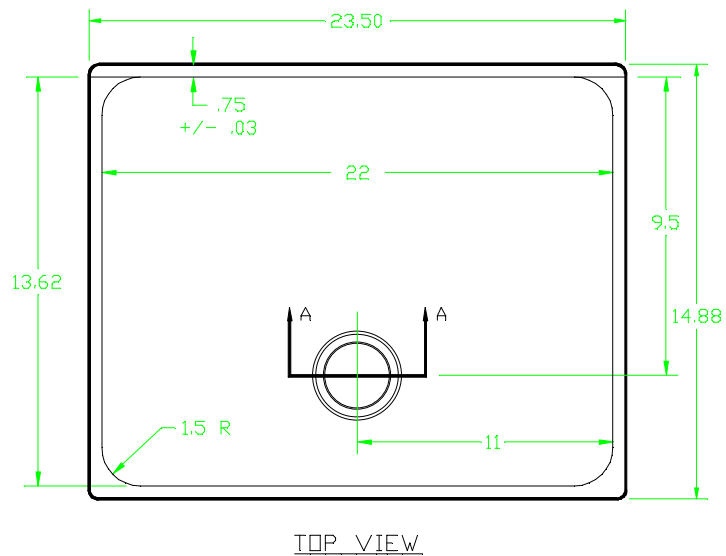


DRAIN OPENING DETAIL  
SECTION A-A



WALL SINK

NOTE: ALL DIMENSIONS REFLECT ACTUAL SINK SIZES +/- .0625

REV. # \_\_\_\_\_  
DATE: 02/14/08 bkt

REV. # \_\_\_\_\_  
DATE: 10/29/98

SINK	WEIGHT	OUTLET LOCAL.	CODE
E46	70 LBS	FRONT	SNK-E46

**DURCON**™  
INCORPORATED

DATE: 10/15/97  
SCALE: N.T.S.  
DRAWN: LDC/KJR  
FILE: E46.DWG