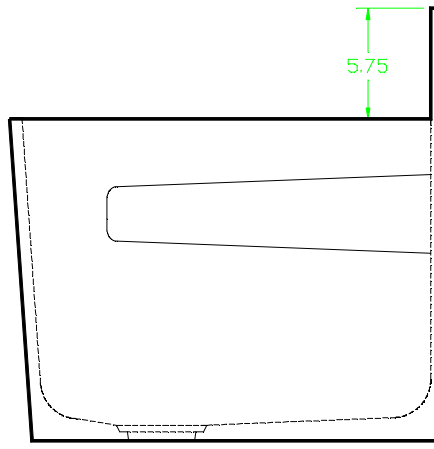
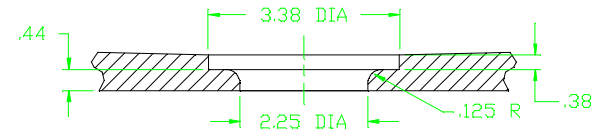


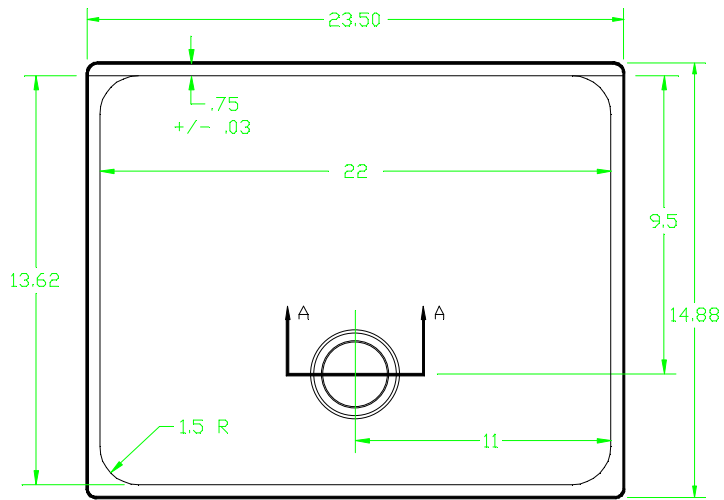
FRONT VIEW



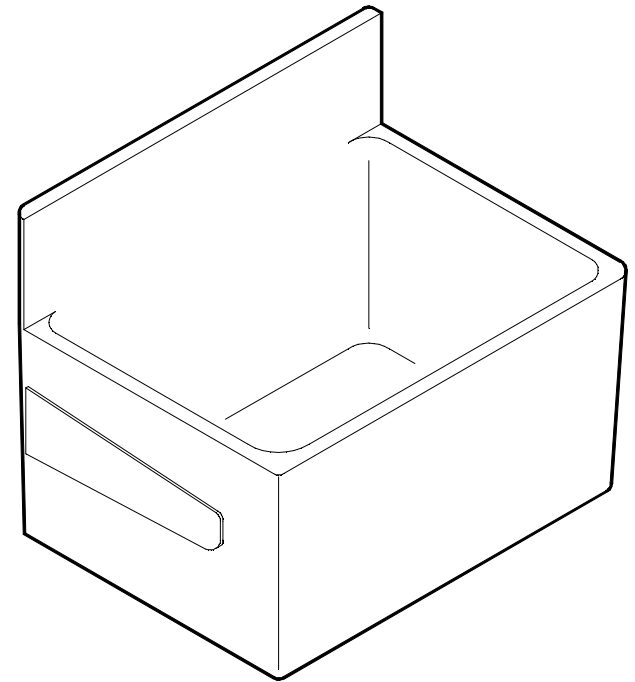
SIDE VIEW



DRAIN OPENING DETAIL
SECTION A-A



TOP VIEW



ISOMETRIC VIEW

WALL SINK

NOTE: ALL DIMENSIONS REFLECT ACTUAL SINK SIZES +/- .0625

REV. # _____
DATE: 10/29/98

SINK	WEIGHT	OUTLET LOCAL.	CODE
E47	73 LBS	FRONT	SNK-E47

DURCONTM
INCORPORATED

DATE: 10/15/97
SCALE: N.T.S.
DRAWN: LDC/KJR
FILE: E47.DWG