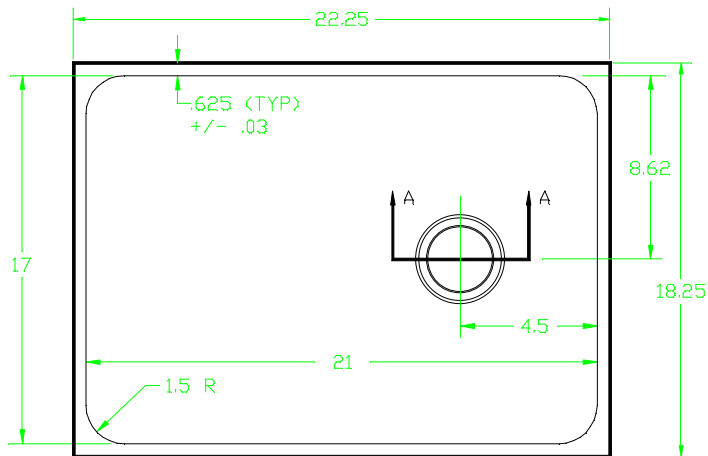
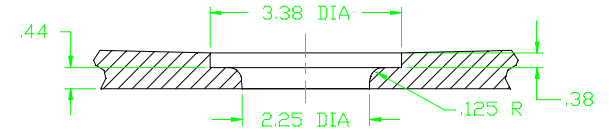


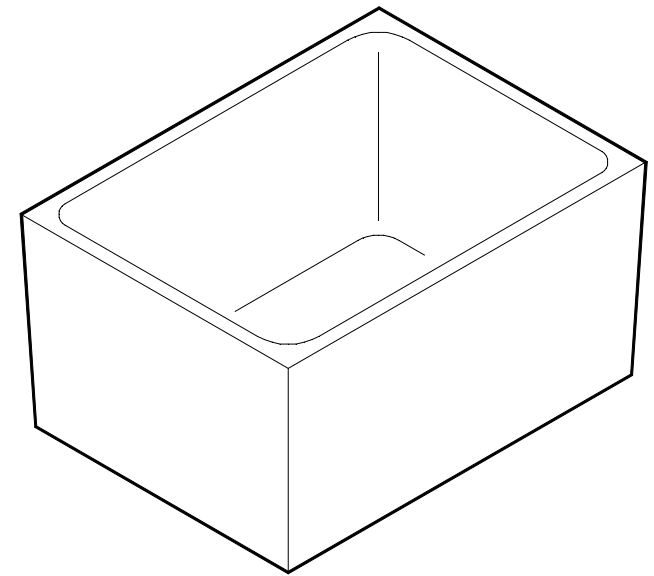
FRONT VIEW



TOP VIEW



DRAIN OPENING DETAIL
SECTION A-A



ISOMETRIC VIEW

NOTE: ALL DIMENSIONS REFLECT ACTUAL SINK SIZES +/- .0625

REV. # _____
DATE: _____

| | | | |
|------|---------|---------------|----------|
| SINK | WEIGHT | OUTLET LOCAL. | CODE |
| U33E | 64 LBS. | END | SNK-U33E |



Laboratory Tops, Inc.

DATE: 10/10/97
SCALE: N.T.S.
DRAWN: LDC/KJR
FILE: U33E.DWG